



IWF RULES FOR COMPETITIONS

BOOK 2 – ORGANISATION RULES

	<b>Article</b>
CHAPTER 1. COMPETITIONS .....	<b>o.1–2</b>
CHAPTER 2. BODIES RESPONSIBLE FOR ORGANISATION AND CONTROL	
The Organising Committee .....	<b>o.3</b>
IWF Executing Committee .....	<b>o.4</b>
The Directoire Technique .....	<b>o.5</b>
Auxiliary personnel .....	<b>o.6</b>
Checking of equipment .....	<b>o.7</b>
	<b>o.8</b>
CHAPTER 3. ENTRIES FOR COMPETITIONS .....	<b>o.9–10</b>
CHAPTER 4. TIMETABLE .....	<b>o.11</b>
CHAPTER 5. INDIVIDUAL COMPETITIONS .....	
General rules for the round of pools .....	<b>o.12</b>
Composition of pools .....	<b>o.13–19</b>
Withdrawal .....	<b>o.20</b>
General rules for direct elimination .....	<b>o.21–24</b>
Withdrawal .....	<b>o.25</b>
Order of bouts .....	<b>o.26</b>
The final .....	<b>o.27</b>
Classification .....	<b>o.28</b>
CHAPTER 6. TEAM COMPETITIONS	
A. World Championships (and Paralympic Games) team events .....	<b>o.42–44</b>
B. Team competition at World Cups.....	<b>o.45–47</b>



### CHAPTER 7. ORGANISATION OF OFFICIAL IWF COMPETITIONS

A. Common conditions	
Programme of competitions .....	o.48
Venues, installations, equipment, accreditation, etc. ....	o.49
Entries to competitions .....	o.50–54
Age of participants .....	o.55
Technical management of official IWF competitions .....	o.56–62
Supervision by the IWF .....	o.63
Anti-doping testing .....	o.64
B. World Championships	
Entries .....	o.65
Referees .....	o.66
Invitations for international officials .....	o.67
C. Zonal Championships .....	o.68
Technical delegates of the IWF .....	o.69
Technical officials and referees .....	o.70
D. World Cup competitions	
Introduction .....	o.75
Criteria .....	o.76–78
Participation .....	o.79–80
Referees .....	o.81
Team World Cup .....	o.82
Individual World rankings .....	o.83
Team World rankings .....	o.84



### BOOK 2 – ORGANISATION RULES

**Remarks:** Throughout the Rulebook

- **IWF** stands for **IWAS Wheelchair Fencing**
- **IWF EC** stands for **IWAS Wheelchair Fencing Executive Committee**
- words importing singular number or masculine gender shall include the plural number or feminine gender, as the case may be, and vice versa

### CHAPTER 1. COMPETITIONS

- o.1. The official competitions of the IWF are organised according to the following rules.
- o.2.
  1. The official competitions of the IWF are open to fencers (individual or team) of all IWAS member countries.
  2. Every competitor or participant in a competition, irrespective of his status, is required to be classified and must be eligible to compete (cf. Book 4. Classification).

### CHAPTER 2. BODIES RESPONSIBLE FOR ORGANISATION AND CONTROL

#### THE ORGANISING COMMITTEE

- o.3. The Organising Committee is the group of persons responsible for organising the competition.

#### THE IWF EXECUTING COMMITTEE

- o.4. The IWF Executing Committee (IWF EC) and its delegate(s) controls the activities of the Directoire Technique at the Paralympic Games, World and Zonal Championships, World Cups and IWAS Games, as described in Article o.63.

#### THE DIRECTOIRE TECHNIQUE

- o.5. The technical organisation of competitions is entrusted to a Directoire Technique, the functions and scope of whose activities are described in the Rules (cf. t.97, o.56–62).

#### AUXILIARY PERSONNEL

- o.6. The organising committee will appoint:



### 1. *Help Assistance for frames, scorers and time-keepers*

The organisers will appoint helping staff for assisting the fencers in entering the fencing frames and to fix the wheelchair into the frames.

Also the organisers will appoint, on their own responsibility, scorers whose duty it will be to keep the score-sheet for the bout, the pool or the match and maintain the score-boards, and a time-keeper whose duty it will be to keep time for the duration of the bouts (cf. t.30ss).

For finals, the Directoire Technique may appoint a delegate or a referee, neutral wherever possible, to supervise the time-keeper, the scorer and the person responsible for the scoring apparatus.

### 2. *Superintendents of the apparatus*

The Organising Committee must choose qualified persons, who pay careful attention to the signals given by the apparatus in order that they may be able to advise the Referee as to what the apparatus has registered, and warn him, even during the course of a bout, as to any abnormal phenomena which may occur.

### 3. *Experts*

- a) For each tournament, the Organising Committee must appoint experts in matters relating to the electrical apparatus. These experts are placed under the supervision of the Directoire Technique.
- b) The experts may be consulted, separately or conjointly, by the referees or by the Directoire Technique regarding all questions relating to the electrical apparatus.

### 4. *Repairers*

For each tournament, the Organising Committee must ensure the presence of competent repairers to remedy faults in the electrical apparatus and, possibly, in the personal electrical equipment of the fencers.

## CHECKING OF EQUIPMENT

- o.7. The checking of the organisers' equipment, as well as the equipment of the fencers, must be carried out in accordance with the rules to be found in the Material Rules, by personnel who are qualified and designated by the organizing committee.

## CHAPTER 3. ENTRIES FOR COMPETITIONS

### o.8. GENERAL REGULATIONS

1. For Paralympic Games, World and Zonal Championships, entries must be sent to the organisers by the competitors' national federation (for the Paralympic Games by their National Paralympic Committee).

For World Cup Competitions, fencers wishing to register in these competitions should do so through the corresponding National Federations or Associations responsible for Wheelchair Fencing that is a member of IWAS. At World Cup Competitions there is no limitation to the number of entries and fencers must be registered with the following information: Name, Family name, Category, Date of Birth, Nation, Club, and events entered.

2. A fencer without an official medical classification is not allowed to participate in an IWF competition. The placing of competitors within each category is strictly according to the decision of the official classifiers authorities who have examined and classified each competitor before the competition.



3. An athlete may participate in a maximum of two types of events (epee/foil/saber), which must be the same in individual and the team events.
4. No competitor may appear in a category lower than that in which he has been placed by those authorities. (e.g. category A fencer cannot compete in a category B event).

A fencer may decide to fence in a higher category (e.g. category B fencer in category A event), provided that they state their decision on entry and compete only in that category through-out all the fencing events in this tournament.
5. At least six fencers from four IWAS countries will have to participate for the said event to be considered an official „World Championship Event“, „Zonal Championship Event“ or „World Cup Event“. In the case of less than six fencers, categories can be pooled to one event.

### CHAPTER 4. TIMETABLE

- o.9.
  1. The programme must be displayed, communicated and respected and must take into account the time needed for the fencers to rest between bouts. It should be arranged in such a way that no fencer is obliged to participate in events for more than 12 hours in 24. In any case, no pool, bout or match may begin after midnight, or at any time when it can be foreseen that there is a likelihood that it will end after midnight.
  2. Whatever programme is adopted, the final should start at a time which, having regard to local routines, will ensure that the results can be communicated to the media in sufficient time to allow them to be published.
  3. In their timetable the organisers must allow sufficient time for it to be possible to carry out the checking of the fencers' equipment, i.e. a minimum of one day per weapon.
- o.10. The first round of all individual and team competitions, including the World Championships and the Paralympic Games, must be displayed by 4 p.m. at the latest the day before the competition (cf. t.123).

### CHAPTER 5. INDIVIDUAL COMPETITIONS

- o.11. Individual competitions are organised consisting of at least one round of eliminating pools, followed by a main direct (that may be incomplete) elimination table of 32 or 64 fencers without repechage.

#### GENERAL RULES FOR THE ROUND OF POOLS

- o.12. The number of pools should be chosen in a way that
  - there will be only 1 pool if the number of fencers is less than 10.
  - in case of 10 or more fencers:
    - a) The number of fencers within a pool should be chosen as high as possible but must not exceed 7 fencers.
    - b) The difference of fencers' number between pools must not exceed 1.



If, however, as the result of the absence of one or more fencers, one or more pools were to be reduced to 4 or fewer fencers, the organisers must add to these pools one or more fencers from other pools with the maximum number of fencers, taking into account the initial ranking of the fencer(s) being replaced.

### COMPOSITION OF POOLS

- o.13.**
1. The pools are composed taking account of the latest official IWF ranking and by drawing lots among fencers who are not in the ranking or equally ranked.
  2. The allocation of fencers in the pools must be made in such a way as to place fencers of the same nationality in different pools, as far as possible.
  3. The order of fencers on the pool sheet is decided by drawing lots.
  4. The pools must be fenced up to the last bout.

**o.14.** The order of bouts in the pools is as follows:

#### 1. Pools on 1 piste

Pool of 3 fencers	Pool of 4 fencers	Pool of 5 fencers
1-2	1-2	↓ 1-2 ↓ 3-5
2-3	2-3	2-3 5-2
3-1	3-4	3-4 2-4
	4-1	4-5 4-1
	1-3	5-1
	2-4	1-3

Pool of 6 fencers	Pool of 7 fencers
↓ 1-2 ↓ 5-2	↓ 1-2 ↓ 3-5 ↓ 3-6
2-3 2-4	2-3 5-2 6-2
3-4 4-6	3-4 2-4 2-7
4-5 5-1	4-5 4-6 7-4
5-6 1-4	5-6 6-1 4-1
6-1 2-6	6-7 1-5
1-3 6-3	7-1 5-7
3-5	1-3 7-3



Pool of 8 fencers (only if less than 10 fencers participating)			Pool of 9 fencers (only if less than 10 fencers participating)		
↓ 7-4	↓ 5-1	↓ 5-7	↓ 2-3	↓ 2-4	↓ 5-3
4-2	1-4	3-7	3-4	4-5	3-6
2-1	4-6	4-8	4-1	5-6	6-9
1-3	6-8	6-2	1-5	6-8	9-4
3-4	8-1		5-2	8-3	4-7
4-5	1-7		2-6	3-7	7-1
5-6	2-7		6-7	7-9	1-8
6-7	2-5		7-8	9-1	8-2
7-8	5-8		8-9	1-6	2-9
8-2	8-3		9-3	6-4	9-5
2-3	3-6		3-1	4-8	5-7
3-5	6-1		1-2	8-5	7-2

2. Pools on 2 pistes

Pool of 4 fencers		Pool of 5 fencers		Pool of 6 fencers	
P1	P2	P1	P2	P1	P2
1-2	3-4	1-2	4-5	1-2	3-4
2-4	3-1	2-3	4-1	2-5	3-6
4-1	3-2	3-4	1-5	5-1	6-4
		4-2	5-3	1-3	4-2
		2-5	3-1	3-5	2-6
				5-4	6-1
				4-1	<i>break</i>
				2-3	6-5

Pool of 7 fencers		Pool of 8 fencers		Pool of 9 fencers	
P1	P2	P1	P2	P1	P2
1-2	4-5	1-2	5-6	5-1	3-9
2-3	4-6	2-3	6-7	1-6	9-4
3-7	6-1	3-4	7-8	6-2	4-8
7-2	1-5	4-1	8-5	2-7	8-3
2-4	5-6	1-3	5-7	7-1	3-4
4-3	6-7	3-6	7-2	1-2	4-6
3-1	7-5	6-1	2-8	2-5	6-8
1-4	5-2	1-5	8-4	5-7	8-1
4-7	2-6	5-2	4-7	7-9	1-3
7-1	6-3	2-6	7-3	9-2	3-5
	3-5	6-4	3-8	2-4	5-6
		4-5	8-1	4-7	6-9
		5-3	1-7	7-8	9-1
		2-4	6-8	8-2	1-4
				2-3	4-5
				3-6	5-8
				6-7	8-9
				7-3	9-5

- o.15.** When there are several fencers from the same country in a pool:
1. If they do not form the majority of the competitors in the pool, they must fence off the bouts between themselves before meeting competitors of another nationality.
  2. If they form the majority of the competitors in the pool, the Directoire Technique may establish a special order of bouts, departing as little as possible from the principle laid down in o.14 above, in order to obviate excessive fatigue or delays for the competitors who form the minority in the pool.
  3. When competitors classed as 'stateless' are included in a pool, they must first fence against the competitors of the nationality to which they originally belonged, after the latter have fenced each other, and thereafter against the competitors of the country which grants them their international fencing licence.
- o.16.**
1. If a bout in a pool is interrupted by an accidental cause, and this interruption is likely to be prolonged, the Referee may (with the consent of the Directoire Technique, or possibly the Organising Committee) alter the order of bouts in such a way as to allow the normal progress of the competition to proceed.
  2. The time allowed for a fencer to rest between two consecutive bouts in a pool is three minutes.



**o.17.** In the pools a bout ends when:

1. a) One of the fencers has scored 5 hits. In this case the score registered on the score-sheet is the final score of the bout ( $V5 - Dn$ , where  $n$  = the number of hits scored by the losing fencer).
- b) At épée, if the two fencers reach a score of 4–all, they must fence for a deciding hit, up to the time limit. Any double hit will not be counted (and the fencers will therefore remain where they are on the piste).
2. Three minutes of effective fencing time have passed. (There is no warning for the last minute.)
  - a) If when the time limit expires there is a difference of at least one hit between the scores of the two fencers, the fencer who has scored the greater number of hits is declared winner. The score registered on the score-sheet is the actual score achieved in the bout ( $VN - Dn$ , where  $N$  = the number of hits scored by the winning fencer and  $n$  = the number of hits scored by the losing fencer).
  - b) If at the end of regulation time the scores are equal, the fencers fence for a deciding hit, with a maximum time limit of one minute. Before the fencing recommences, the Referee draws lots to decide who will be the winner if scores are still equal at the end of the extra minute.
  - c) In this case the score registered on the score-sheet is always the actual score achieved in the bout:
    - $VN - Dn$  if a deciding hit is scored within the time limit for the bout.
    - $V4 - D4$  or  $V3 - D3$  or  $V2 - D2$  or  $V1 - D1$  or  $V0 - D0$  if the winner is designated by drawing lots.

**o.18.** Before the competition starts, the Directoire Technique will decide on and announce the number of fencers who will be eliminated based on the ranking established by the pools.

At Paralympic Games, World and Zonal Championships, this number may not be lower than 20% nor higher than 30% of the total number of participants in the pools.

At World Cups, the elimination rate must not exceed 20% and will be chosen in a way to form at least a complete tableau of 16 fencers. If the number of participants in an event is equal to or less than 16 fencers, no fencer will be eliminated in the qualification round of pools.

**o.19. 1.** After the pools, a single general ranking will be established of all the fencers who have taken part in the pools, taking account, successively, of the indices  $V/M$ ,  $HS - HR$ ,  $HS$ .

( $V$  = victories;  $M$  = bouts;  $HS$  = hits scored;  $HR$  = hits received.)

**2.** A summary classification table shall then be made in the following way:

- a) The results written up on the summary table will be added up to ascertain the two indices required.
- b) The first index, for the initial classification, shall be obtained by dividing the number of victories by the number of bouts fought, using the formula  $V/M$ .
- c) The fencer with the highest index (maximum 1) will be seeded first.
- d) In cases of equality in this first index, and to separate fencers with equal first indices, a second index will be established, using the formula  $HS - HR$ , the difference between the total number of hits scored and hits received.
- e) In cases of equality of the two indices  $V/M$  and  $HS - HR$ , the fencer who has scored most hits will be seeded highest.



- f) In cases of absolute equality between two or more fencers, their seeding order will be decided by drawing lots.
- 3. Should there be absolute equality among the last to qualify there will not be a barrage, and the fencers with equal indicators will all qualify, even if they are in excess of the number decided on.

### WITHDRAWAL

- o.20. A fencer who withdraws, or who is excluded, is scratched from the pool, and his results are annulled as if he had not taken part.

### GENERAL RULES FOR DIRECT ELIMINATION

- o.21. The direct elimination table (bout plan) is established taking account of the classification table and the special rules for each competition (see Figure 7a). The principle of protection of nationality will not be applied.
- o.22. The organisers of a competition must publish the direct elimination bout plan, showing on it the scheduled time for each bout from the table of 64 or 32 onwards.
- o.23.
  - 1. The direct elimination bouts are for 15 hits or end when the three periods of three minutes, with a one-minute rest between each period, have passed. As an exception, at sabre, the first period ends either at the expiry of the three minutes or when one of the fencers has scored eight hits.
  - 2. During the one-minute rests a person, named before the bout, may have access to the fencer.
  - 3. A clock, incorporated into the electrical scoring apparatus, blocks the latter at the end of each period.
- o.24.
  - 1. The bout ends when:
    - One of the fencers has scored 15 hits; or
    - 9 minutes of effective fencing time have passed.
  - 2. The fencer who has scored the greater number of hits is declared the winner.
  - 3. If at the end of regulation time the scores are equal, the fencers fence for a deciding hit, with a maximum time limit of one minute. Before the fencing recommences the Referee draws lots to decide who will be the winner if scores are still equal at the end of the extra minute.
  - 4. In this case the score recorded on the score-sheet is the real score achieved in the bout.

### WITHDRAWAL

- o.25. When, for whatever reason, a fencer cannot fence, or cannot complete his bout, his opponent is declared winner of that bout. A fencer who withdraws does not lose his place in the overall classification of the competition.

### ORDER OF BOUTS

- o.26.
  - 1. In each round of the direct elimination table (64, 32, 16, 8 or 4), the bouts are always called in the order of the bout plan, starting at the top and ending at the bottom.
  - 2. This rule must also be applied for each quarter of the table, when the direct elimination is taking place simultaneously on 4 or 8 pistes.



3. A fencer must always be allowed a rest period of ten minutes between two consecutive bouts.

### THE FINAL

- o.27. The final, which is by direct elimination, shall consist of 4 fencers.

### CLASSIFICATION

- o.28. 1. The general classification is obtained as follows:

First: the winner of the bout for the first place

Second: the loser of the bout for the first place

2. The two fencers who lose the semi-final matches are placed equal third, when it is not necessary to separate them.
3. When it is necessary to separate them, a bout for third and fourth places will be fought between the two losers of the semi-final matches.
4. The remainder are placed, within each round of the direct elimination, in accordance with their classification for the composition of the direct elimination table.
5. The fencers eliminated in the round of pools are classified according to their classification in this round and they are classed after those who qualified for the direct elimination.

- o.29. – o.41. (left blank – FIE rules o.29. – o.41. “Mixed Formula” not relevant for IWF)

## CHAPTER 6. TEAM COMPETITIONS

### A. WORLD AND ZONAL CHAMPIONSHIPS (AND PARALYMPIC GAMES) TEAM EVENTS

- o.42. At each weapon teams consist of three fencers, with or without a reserve.

Each team must have at least one fencer of category „B“ or „C“ in the starting team. In case of substitution during a bout there must remain a category „B“ or „C“ fencer in the fencing team.

The fencing measure shall be as category „A“ or „B“.

A team may only begin a match if it is complete.

- o.43. 1. The competition is run by integral direct elimination with a direct elimination table which may be incomplete (see Figure 7b).

Teams are ranked according to their fencers’ individual results. Thereby it has to be taken into account that

- a) The score is the sum of the best three individual competitions ranking of the fencers nominated for the team event.
- b) Category „C“ fencers, not competing in category „B“ event, get as individual competition ranking the „number of fencers in category ‘B’ competition“ +1.
- c) If there is more than one category „A“ fencer in the team, the score is calculated by the ranking of the best two category „A“ fencers and the ranking of the best category „B“ or „C“ fencer.



- d) If there is exactly one category „A“ fencer in the team, the score is calculated by the ranking of this category „A“ fencer and the best two category „B“ or „C“ fencers.
  - e) Only if there is no category „A“ fencer in the team, it is allowed to take the ranking of the best three category „B“ or „C“ fencers for calculating the score.
2. All places in the table up to 16th place will be fought for. From 17th place onwards teams will be classified, within each round of the table, according to their initial place in the table.
- o.44.** The formula for the competition is as follows.
1. The relay formula applies to all weapons.
  2. The three fencers of one team fence the three fencers of the opposing team (9 relay bouts).
  3. The bouts of each match have to be fought in the following order:  
3-6; 5-1; 2-4; 6-1; 3-4; 5-2; 1-4; 6-2; 3-5  
If this order is altered, intentionally or unintentionally, all the hits scored following the modification are annulled and the match is resumed in the correct order.
  4. The position of each team on the match score-sheet is decided by drawing lots. The order of the individual fencers is decided by the team captains.
  5. Each 'lap' (bout) of the relay match consists of five hits (5, 10, 15, 20, etc.); the maximum time for each bout is 3 minutes.
  6. The first two opponents fence until one of them has scored five hits, within the time limit of 3 minutes.  
The next two opponents fence until one of their scores has reached ten hits, within the time limit of 3 minutes, and so on with successive bouts, cumulatively, of five hits.
  7. If by the expiry of 3 minutes of fencing time the intended score for the bout has not been achieved, the next two fencers take up the score where it was left off and fence up to the maximum score intended for their bout as normal, within the time limit of 3 minutes.
  8. The winning team is that which first reaches the maximum score of 45 hits, or that which has scored the greatest number of hits after the expiry of regulation time.
  9. If at the end of regulation time for the last bout the scores are equal, the match continues for a deciding hit, with a maximum time limit of one minute, fought for by the fencers of the last bout in the match. Before the fencing recommences the Referee draws lots to decide who will be the winner if scores are still equal at the end of the extra minute.
  - 10.a) In the course of a match the captain of a team may ask to substitute for a fencer the reserve nominated before the start of the match. This substitution may only be made at the end of a bout.  
The fencer who has been replaced may not fence again during that match in order to replace a fencer on the piste, even in the case of an accident or unavoidable circumstances. The announcement that a fencer is to be substituted, which must be reported by the Referee to the Directoire Technique and to the opposing team captain, must be made at the latest before the beginning of the bout preceding the next bout of the fencer who is to be replaced. After substitution there has to be still at least one category „B“ or „C“ fencer among the three fencers on the piste.
  - b) If an accident occurs in the bout which follows the request for a substitution, the team captain may annul that request.
  - c) If the captain of the opposing team has also requested a substitution, this substitution may be implemented or cancelled.
  - 11.a) If a member of a team is obliged to retire during a match as the result of an accident which has been duly recognised by a medical representative of the IWF, the captain of his team may ask to put in a reserve to continue the match at the point where the competitor who was obliged to retire withdrew, even during a bout in progress.



- b) However, a competitor who is thus replaced cannot again take his place in the team during the same match.
12. If both a fencer and the reserve, if any, are forced to retire, or if a fencer is excluded, their team has lost the match.
13. When for any reason whatever a team does not complete an event in which it is taking part, the Directoire Technique will apply the rules laid down for a competitor who does not complete an event in an individual competition, each team being considered in its entirety as being a single competitor.
14. When a team fails to appear against another team it is considered:
- a) as not completing the event in which it is taking part, if it has already fenced against another team (cf. o.25);
  - b) as not competing at all in the event, if it is its first match.

### B. TEAM COMPETITIONS AT WORLD CUPS

- o.45. Apart from the following aspects, the competition is run in accordance with rules laid down for the team events in the World Championships.
- o.46. 1. All places in the table down to 16th place will be fought for. From 17th place onwards teams will be classified, within each round of the table, according to their initial seeding in the table.
2. If a team does not begin a match they will be disqualified from the competition, unless this is because of an injury or illness, duly attested by the duty doctor.
- o.47. 1. The table will be drawn up based on the ranking of the teams present at 6 p.m. (18.00 hrs) on the day before the competition.

## CHAPTER 7. ORGANISATION OF OFFICIAL IWF COMPETITIONS

### A. COMMON CONDITIONS

#### PROGRAMME OF COMPETITIONS

- o.48. 1. The programme of fencing events at the Paralympic Games currently comprises twelve events (ten individual events and two team events). Any change or the number of events must be approved by IWF EC and the International Paralympic Committee (IPC).
2. The programme of the World Championships and Zonal Championships comprises twenty (twentytwo) events
- epee female individual Category A
  - epee female individual Category B
  - epee male individual Category A
  - epee male individual Category B
  - foil female individual Category A
  - foil female individual Category B
  - foil male individual Category A
  - foil male individual Category B



- saber male individual Category A
  - saber male individual Category B
  - saber female individual Category A
  - saber female individual Category B
  - epee male individual Category C
  - foil male individual Category C
  - epee male team
  - epee female team
  - foil female team
  - foil male team
  - saber female team
  - saber male team
  - (epee female individual Category C)
  - (foil female individual Category C)
- 3. The programm of World Cups comprises twelve individual events**
- epee female individual Category A
  - epee female individual Category B
  - epee male individual Category A
  - epee male individual Category B
  - foil female individual Category A
  - foil female individual Category B
  - foil male individual Category A
  - foil male individual Category B
  - saber male individual Category A
  - saber male individual Category B
  - saber female individual Category A
  - saber female individual Category B

Additionally there should be at least one World Cup per season also comprising individual events in epee and foil for category C.

Team events specified by IWF EC should be held at World Cups.

#### **4. TIMING**

Paralympic Games, World and Zonal Championships, IWAS Games should follow the following time table:

- 1<sup>st</sup> day:                      Foil Male Individual A & B  
   Epee Female Individual A & B



2 <sup>nd</sup> day:	Foil Male Team Epee Female Team
3 <sup>rd</sup> day:	Foil Male Individual C Saber Male Individual A & B Saber Female A & B
4 <sup>th</sup> day:	Epee Male Individual C Saber Male Team Saber Female Team
5 <sup>th</sup> day:	Epee Male Individual A & B Foil Female Individual A & B
6 <sup>th</sup> day:	Epee Male Team Foil Female Team

IPC and IWF EC are allowed to change the order of the time table and the number of competition days due to special reasons.

For World Cups, the organisers must submit the programme of events to the IWF EC for its approval.

Venues, installations, equipment, accreditation, circulation of people in the competition enclosure, administrative organisation of the Organising Committee, personnel, various publications and the official programme

- o.49. The Organising Committee must take note of the instructions in the Specifications ('Organising IWF World Cup Events', 'Organising IWF Zonal Championships' and 'Organising IWF World Championships').

### ENTRIES

#### OFFICIAL INVITATION

- o.50. 1. For all the official competitions of the IWF except the Paralympic Games, the official invitation is the letter in which the organising federation invites every IWF member federation to take part in the Championships.
2. For the World Championships, this invitation must be sent to all the member federations, without exception, at least six months before the competitions.
3. For World Cup competitions, it must be sent out as specified in 'Organising IWF World Cup Events'.

#### ADVANCE PROGRAMME

- o.51. A brochure, comprising an 'advance programme' of the Championships, must be sent to the member federations together with the official invitation. It should contain at least the following information:
- a) the official name of the Organising Committee, postal address, e-mail address and telephone and fax numbers;
  - b) the proposed timetable;
  - c) organisational details;
  - d) information on means of transport, visas, customs duties, etc.;



e) information on hotel, its price, its location relative to the competition venue.

### ENTRY FORMS

**o.52.** *Commitment to take part in the World and Zonal Championships*

The forms must be sent to all federations at the same time as the official invitation. The federations must indicate their intention to participate three months before the beginning of the Championships.

**o.53.** *Entries for World and Zonal Championships*

1. Three months before the start of the events, the federations will receive an entry form from the Organising Committee, on which they are required to specify the number of fencers and teams participating in each event of the competition's programme, two months before the start of the events.

2. The entry of the names of the fencers and all possible substitutes, and the entry of teams, must be made fifteen days (by midnight, GMT) before the first event of the Championships at the latest.

3. Withdrawal of a fencer.

After the cut-off date for entries, there can be no further withdrawal of a name except in any case of force majeure duly justified.

4. Addition of fencer(s) after the cut-off date.

Nevertheless one or more fencers may be added, up until 10.00am (local time in the town hosting the World Championships) on the day before the competition, after payment to the IWF of a penalty of 150 Euro per additional entry. To do this the national federation must address a request to the IWF to add a fencer or fencers, together with immediate payment of the penalty.

5. Changes of names, only with the agreement of the IWF and only for reasons of 'force majeure', can only be made at the latest up to 24 hours before the start of each event.

**o.54.** *Entries by name for Senior and Junior World Cup competitions, World Cup team competitions and Zonal Senior and Junior competitions*

1. The entry of the names of the fencers and all possible replacements, and the entry of teams, must be made at IWF 7 days before the competition at the latest (midnight GMT).

For team entries, the names of the fencers making up the teams may be changed, by informing the organizers, until the day before the competition, at the latest at the end of the quarter-finals of the individual competition.

2. Withdrawal of a fencer or team.

After the closing dead-line for entries, no named fencer or team may be withdrawn.

From the Tuesday preceding the competition, should a fencer have to be withdrawn for reasons of force majeure, the national federation must inform IWF and the organizers. The fencer may not be replaced.

3. Substitution of a fencer.

Until the Tuesday preceding the competition (midnight GMT), a fencer may be replaced by another. To do this, the national federation must send to the IWF, by fax or e-mail, a written request to substitute the fencer.



#### 4. Addition of a fencer after the deadline.

However, until the Tuesday preceding the competition (midnight GMT), one or more fencers may be added after payment to the IWF of a penalty of 150 Euro per additional entry.

To do this, the national federation must send to the IWF (by fax or email) a request for the additional fencer(s) and a written commitment to pay the penalty within 15 days.

5. Should a fencer or team who have been entered not present themselves to fence, their federation will be penalised with a fine of 500 Euro, payable to the IWF, except in cases of properly authenticated 'force majeure'.
6. The organisers of all official competitions must, at risk of a penalty of a fine of 1000 Euro payable to the IWF, refuse the entry of any fencers not appearing on lists conforming with the above, any entry not requested by a federation which must be an IWAS member in good standing, and any entry of either fencer or referee not in possession of a valid IWF classification / licence.

### AGE OF PARTICIPANTS

- o.55. No fencer may take part in an official event of the IWF unless he or she is at least 13 years old on 1st January in the year of the competition.
  1. Fencers taking part in all the official IWF Junior competitions, individual or team, must be under 20 years old at midnight on 31st December of the year preceding the year in which the competition takes place (cf 0.80).
  2. Apart from the stipulations above, there is no maximum age limit for those taking part in any other official events of the IWF.

### TECHNICAL MANAGEMENT OF OFFICIAL IWF COMPETITIONS

- o.56. Apart from the specific areas of competence which are the responsibility of the other technical officials, the technical management of official IWF competitions is entrusted to a Directoire Technique, whose composition and nomination must respect the specific rules for each competition.

### NOMINATION

- o.57. The Directoire Technique is composed of people who have the experience and competence to organise competitions.
  1. World Championships, Zonal Championships and Paralympic Games
    - a) The technical organisation is undertaken by a Directoire Technique of six members of different nationalities, one of whom must represent the organising country.
    - b) The President of the Directoire Technique and the other members are appointed by the Executive Committee of the IWF EC.
    - c) Should there be a tied vote among the members of the Directoire Technique, the President of the Directoire Technique has the casting vote.
  2. World Cup competitions
    - a) The Directoire Technique is composed of three qualified persons from the organising country or invited by them, suggested by the Technical Delegate of IWF.



### FUNCTIONS

- o.58.** 1. The functions of the Directoire Technique include the strict but complete organisation of the different events and the obligation to see that the Rules are adhered to; they cannot decide on any departure from the Rules except when circumstances arise in which it is absolutely impossible to apply them.
2. The Directoire Technique is responsible for the technical organisation of the competitions and for ensuring their smooth running.
3. Hence:
- a) It checks technical installations;
  - b) It checks the entries;
  - c) It draws up the pool sheets and direct elimination table;
  - d) It allocates referees at the suggestion of the Refereeing delegate, as well as the pistes;
  - e) It supervises the progress of the event(s);
  - f) It examines complaints and solves them;
  - g) It checks results with the help of the Organising Committee;
  - h) It prepares the subsequent events sufficiently in advance to be able to warn the fencers, officials and judges;
  - i) It supervises the dissemination of results.
4. Furthermore the Directoire Technique has disciplinary responsibility at competitions; Article t.97 defines the extent of its authority.

### OPERATION

- o.59.** The members of the Directoire Technique cannot act in any other capacity at the meeting, such as team captain, official delegate of their federation, referee, competitor, etc.
- o.60.** 1. The Directoire Technique must always attend events from beginning to end, so as to solve any problem which could arise and thus ensure that the event continues to run smoothly.
2. All the decisions of the Directoire Technique must be displayed sufficiently in advance on a clearly visible notice-board to be consulted by the fencers and officials. In principle, fencers and officials are informed by their heads of delegations or captains, and they may not lay a complaint against changes in the timetable or any other matter about which information has been displayed at the required time.
- o.61.** For the World Championships and the Paralympic Games the Directoire Technique must meet at least 24 hours before the first event to draw the first round of pools of the first event.
- o.62.** For questions concerning the rules, the Refereeing Commission delegate(s) alone are competent to judge the value of a referee's decision.
- At competitions where there is no Refereeing Commission delegate, it is the Supervisor who fulfils this function.
- The Supervisor settles any disputes that might arise. It is the responsibility of the IWF EC or of its designated representative to settle any disputes which arise at World Championships.



### **SUPERVISION BY THE IWF**

- o.63.** With the aim of ensuring that the rules are observed, the President and the members of the IWF EC have the right to attend all meetings of the Directoire Technique. The Directoire Technique is obliged to give them notice of such meetings.



### ANTI-DOPING TESTING

- o.64.** An anti-doping test must be carried out at all official competitions of the FIE IWF in accordance with the regulations in Article t.127 and the Anti- Doping Rules of the IWAS. It may begin from the start of the competition and applies to fencers who have finished fencing.

## B. WORLD CHAMPIONSHIPS

### ENTRIES

- o.65.**
1. At the World Championships, entries are limited according to the 'Qualification System for World Championships'.
  2. All countries attributed to IWAS can participate with at least one athlete in each type of event and category as long as that athlete is listed in the current IWF ranking list. Restrictions for qualification are described in details in the specifications „IWF Qualification system for the World Championships“.
  3. At least six fencers from four IWAS countries will have to participate for the said event to be considered an official IWF „World Championship Event“.
  4. An athlete may participate in a maximum of two types of events (epee/foil/saber), which must be the same in individual and the team events.

### REFEREES

- o.66.**
1. Refereeing at World Championships is carried out by referees that are listed in the IWF referees' list.
  2. Referees' board and lodging costs are paid by the organising committee, who in return will receive all the entry fees.
  3. Referees must attend the refereeing meeting that takes place the day before the World Championships.
  4. The number of referees (cf. t.35) that must accompany teams to World Championships is:

1–4 fencers	No obligation to provide a referee
5–8 fencers	One referee
9 or more fencers	Two referees

Should a national federation not bring the required number of referees, it will be charged a fine of 500 Euros.

This fine must be paid by the delegation to the organisers, who may keep this amount provided that they ensure the services of the referee(s) necessary to replace the missing referee(s). This fine reverts to the IWF if the organisers do not arrange the presence of replacement international referees, who may be from the organising country.

Under whatever circumstances, if a national federation does not pay this fine, it must reduce the participation of its fencers in conformity with the quotas.

### INVITATIONS FOR INTERNATIONAL OFFICIALS

- o.67.**
1. Any proposed candidature for organising the World Championships must be studied at the venue concerned by an ad hoc delegation designated by the IWF EC, at the invitation of the candidate federation.



2. The organising committee of the World Championships, who will receive all the entry fees from the participating delegations, must, at their own expense, invite the following international officials (tourist-class return air fare, accomodation and daily allowances):
  - a) The President of the IWF or his representative, who presides over the World Championships and, in particular, controls the smooth running of the Directoire Technique.
  - b) A head of protocol designated by the President of the IWF.
  - c) Six members of the Directoire Technique appointed by the IWF EC, of whom one must belong to the organising country.
  - d) Three members of the SEMI Committee
  - f) Two members of the Medical Commission, appointed by IWF EC.
  - g) The nations´ referees, but they must pay the travelling costs on their own expence.

### C. ZONAL CHAMPIONSHIPS

#### ENTRIES

- o.68. 1. At Zonal Championships, entries are limited to four fencers per weapon per nation for the individual events and one team per weapon per nation for the team events. All IWAS countries of that region may send fencers to the Zonal Championships.
2. The Rules of the IWF are obligatory.
3. At least six fencers from four IWAS countries will have to participate for the said event to be considered an official IWF „Zonal Championship Event“.
4. An athlete may participate in a maximum of two types of events (epee/foil/saber), which must be the same in individual and the team events

#### TECHNICAL DELEGATES OF THE IWF

- o.69. 1. The Technical delegate of the IWF, who represents the IWF in accordance with the Rules for Zonal Championships, will be chosen by the President of the IWF, after consultation with the IWF EC, according to criteria of recognised technical abilities.
2. The expenses incurred by this representative (tourist-class air fare, hotel and board) will be paid by the Organising Committee.

#### TECHNICAL OFFICIALS AND REFEREES

- o.70. The Organising Committee must pay the expenses (tourist-class air fare, hotel and board) for the following officials:
  1. *Directoire Technique*. Two foreign members if the Directoire Technique has three members; five foreign members if there are six members. The Directoire Technique is appointed by the IWF EC.
  2. *Checking of Equipment*. One or two representatives of the SEMI Commission of IWF.
  3. *Technical delegate*. A representative of the IWF EC.
  4. The nations´ referees (but they must pay the travelling costs on their own)  
The number of referees (cf. t.35) that must accompany teams to World Championships is:



1–4 fencers	No obligation to provide a referee
5–8 fencers	One referee
9 or more fencers	Two referees

Should a national federation not bring the required number of referees, it will be charged a fine of 500 Euro.

This fine must be paid by the delegation to the organisers, who may keep this amount provided that they ensure the services of the referee(s) necessary to replace the missing referee(s). This fine reverts to the IWF if the organisers do not arrange the presence of replacement international referees, who may be from the organising country.

Under whatever circumstances, if a national federation does not pay this fine, it must reduce the participation of its fencers in conformity with the quotas.

### D. WORLD CUP COMPETITIONS

#### INTRODUCTION

- o.75.** 1. The title 'IWF World Cup Competition' applies to the following competitions:
- The individual competitions of the Open World Cup
  - The competitions of the Junior World Cup
  - The competitions of the Team World Cup

The World Cup competitions will be those that met the conditions as laid down by the IWF, designated by the IWF EC and published in the IWF Official Calendar.

#### CRITERIA

**o.76.** *Admission*

A competition can only be classed or kept as a World Cup competition if it satisfies the following criteria.

1. At least six fencers from four IWAS countries will have to participate for the said event to be considered an official IWF „World Cup Event“.
2. An athlete may participate in a maximum of two types of events (epee/foil/saber), which must be the same in individual and the team events.
3. Different events must be organised by category.
4. The Rules of the IWF must be faithfully applied, as well as the IWF specification 'Organising World Cup Events'. The organisers must use automatic judging equipment of which the prototype has been approved by the SEMI.
5. The finals (2, 4 or 8) must take place in a hall in which there is space allocated to the public.
6. There must be a sufficient number of pistes to allow the first round to take place in no more than two series of pools.
7. There must be a medical doctor present on the premises of the competition for the whole duration of the competition.
8. There must be an anti-doping test conforming to the regulations of the IWAS (cf. t.127 and the IWAS Anti-Doping Rules).



### **o.77. The Supervisor**

1. The organisers of World Cup events, must ensure the presence of a supervisor of the IWF EC from a country other than that of the organisers, whose task it will be to verify that the competition properly fulfils the World Cup criteria.
2. The travel, board and lodging costs of the supervisor are the responsibility of the organisers, in accordance with the standards updated from time to time by the IWF EC.
3. This supervisor is either:
  - a member of an IWF Commission
  - a member of IWF EC
  - a member of a group of persons, appointed by IWF EC, available and experienced in organising competitions

The supervisor is appointed by IWF EC.

### **o.78. The Directoire Technique**

1. The Directoire Technique shall consist of three suitable members from the organising country or invited by it.
2. The competition supervisor, designated by the IWF EC, shall also be president of the Directoire Technique.

## **PARTICIPATION**

**o.79.** There is no limitation of fencers per nation at World Cups.

**o.80.** Fencers can only participate in a World Cup, if there national federation is an IWAS member in good standing.

## **REFEREES – WORLD CUPS**

**o.81. 1.** The number of IWF A or B Grade referees (cf. t.35) that must accompany teams to World Cup competitions is:

1–4 fencers	No obligation to provide a referee
5–8 fencers	One referee
9 or more fencers	Two referees

**2.** Should a national federation not provide the required number of referees, a fine of 500 Euro will be inflicted on it if it has notified the fact 15 days in advance. This fine is doubled if there was no notification 15 days in advance.

This fine must be paid by the delegation to the organisers so that they are able to arrange for other referees to replace those missing as necessary.

If a national federation does not pay this fine, it must reduce the participation of its fencers in conformity with the quotas (cf o.81.1 above)

The Supervisor must ensure the proper application of this article.



### TEAM WORLD CUP

#### APPLICATION

**o.82....1.** Team World Cup competitions take place at the three weapons, both male and female.

#### Principles

2. a) The Team World Cup tournament is composed of a maximum of five integral competitions (through to the first place). Points will be allocated at the end of each competition.
- b) The teams are made up of three fencers, with or without a substitute.
- c) The matches proceed according to the team-relay formula, as provided for in Article o.44 of these Rules.

#### Participation

3. Team participation is open to all countries and limited to one team per weapon per country.

### INDIVIDUAL WORLD RANKINGS

**o.83. 1. Official IWF individual ranking**

#### Principles

- a) The official Open ranking of the IWF takes into account all results of the World Cup competitions in which the fencer has participated, irrespective of continent, plus the World Championships, Paralympic Games and the Zonal Championships.
- b) The official Junior ranking of the IWF takes into account all results of the World Cup competitions in which the fencer has participated, irrespective of continent, as well as the World Championships and the Zonal Championships.
- c) For both Open and Junior rankings, the ranking is kept permanently up to date. The competition in the current year cancels out the corresponding competition from 2 years ago, and the points allocated for a competition cancel out the points attributed to the same competition 2 years ago.

If a competition does not take place in the current season, the points obtained at the same competition from 2 years ago are deleted on the 2nd anniversary of the competition.

There is no time factor for IWF competitions, the number of points achieved stay the same for the whole ranking period.

- d) In the event of equal points, the ranking is based on who has gained the most first places, then second places, etc. If there is a complete tie, the fencers are ranked equal.
- e) After each competition which is taken into account to establish the ranking, this is updated automatically after verification of the results by the IWF.
- f) Except where special rules apply, the official up-to-date IWF ranking is the deciding factor for all rankings, seedings, exemptions, etc.

#### Scale of points

2. a) The ranking is based on the following points system:

1st place	32 points
2nd place	26 points
3rd place <i>ex aequo</i>	20 points
4th place <i>if fenced</i>	18 points
5th–8th places	14 points
9th–16th places	8 points
17th–32nd places	4 points
33rd–64th places	2 points



- b) Points obtained in an individual World Cup competition are as listed above (factor 1.0).
- c) Points obtained in a Zonal Championship are multiplied by a factor of 1.5.
- d) Points obtained in the individual events of the Open World Championships and in the Junior World Championships are multiplied by a factor of 2.5.
- e) Points obtained in the individual events of the Paralympic Games are multiplied by a factor of 3.0. At the Paralympic Games, fourth place is awarded 54 points.
- f) Points will be awarded to fencers only in the category they actually competed.

### Honours

3. The winner (first ranked fencer) of each senior official ranking of the IWF will be announced at the end of the Open World Championships or Paralympic Games.

The winner (first ranked fencer) of each junior official ranking will be announced at the end of the Junior World Championships.

### TEAM WORLD RANKINGS

#### **o.84. 1. Official team ranking of the IWF**

##### **Principle**

- a) The official team ranking of the IWF takes into account all the team's results in the Team World Cup competitions, irrespective of continent, plus the Open World Championships or the Paralympic Games and the Zonal Championships.
- b) The official team ranking of the IWF is updated on a permanent basis: the event which is held during the current year cancels out the corresponding event from 2 years ago, just as the points obtained during the new event replace the points obtained from 2 years before. If an event does not take place in the current season, the points obtained at the same event from 2 years ago are deleted on the 2nd anniversary of the event.
- c) Should several teams have the same points, the same rules shall apply as for the official IWF individual ranking (cf. o.83).
- d) Except where special rules apply, the updated official team ranking is the deciding factor for all rankings, seedings, etc.

##### **Team scale of points**

2. a) The ranking will be based on the following scale of points:

1st place	64 points	10th place	24 points
2nd place	52 points	11th place	23 points
3rd place	40 points	12th place	22 points
4th place	36 points	13th place	21 points
5th place	32 points	14th place	20 points
6th place	30 points	15th place	19 points
7th place	28 points	16th place	18 points
8th place	26 points	17th–32nd	8 points
9th place	25 points		

- b) For the World Team Championships, the points indicated above are multiplied by two.
- c) Points obtained in a Zonal Team Championship have a factor of 1.0.

##### **Honours**

3. The winner (first ranked team) of each official team ranking of the IWF will be announced at the end of the Open World Championships or Paralympic Games.



**Figure 7a. Bout plan for individual direct elimination (table for 32 fencers)**

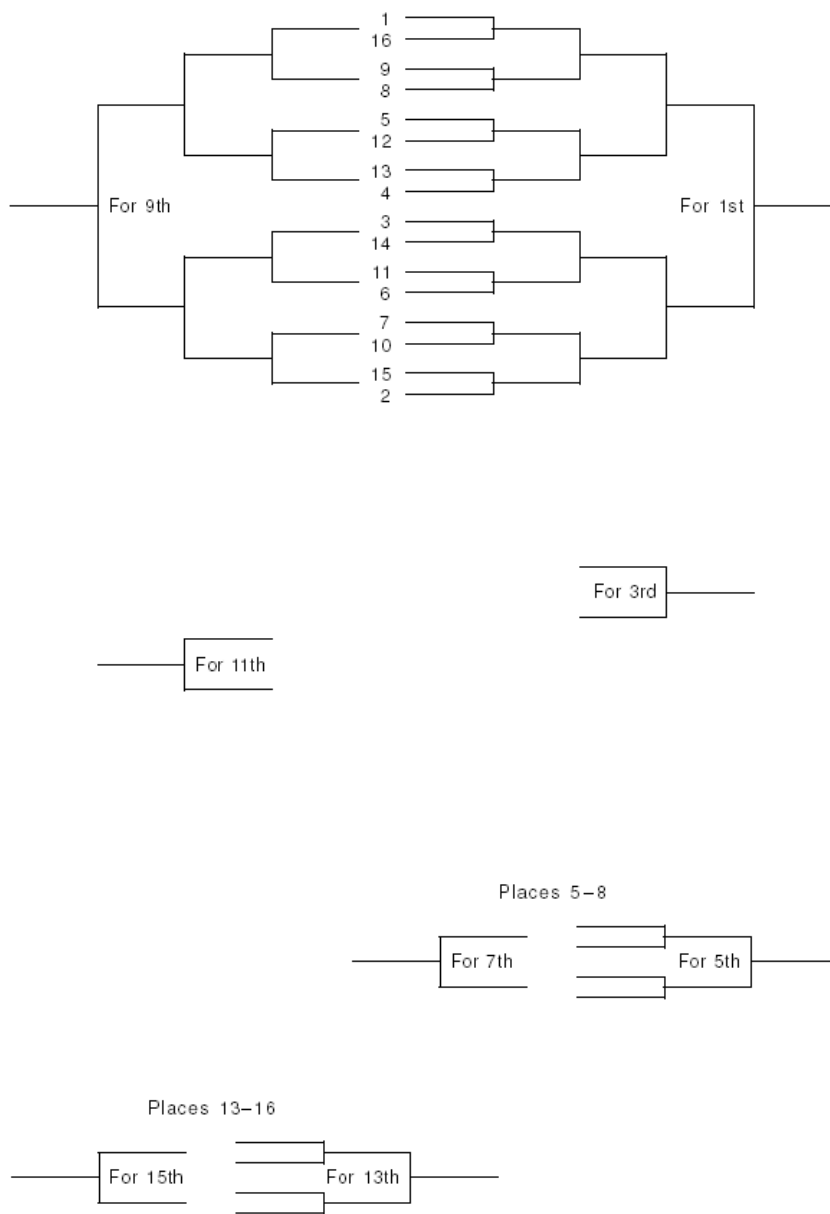


Figure 7b. Bout plan for direct elimination for team competitions (16 teams)